

MIPI-ADP03

MIPI Adaptor Board



INTRODUCTION

The MIPI-ADP03 is an daughter board of USB3-DIO01, it is an MIPI adaptor board that transmitting a frame to USB3-DIO01. It can be supported Max. 1.2Gbps/lane.

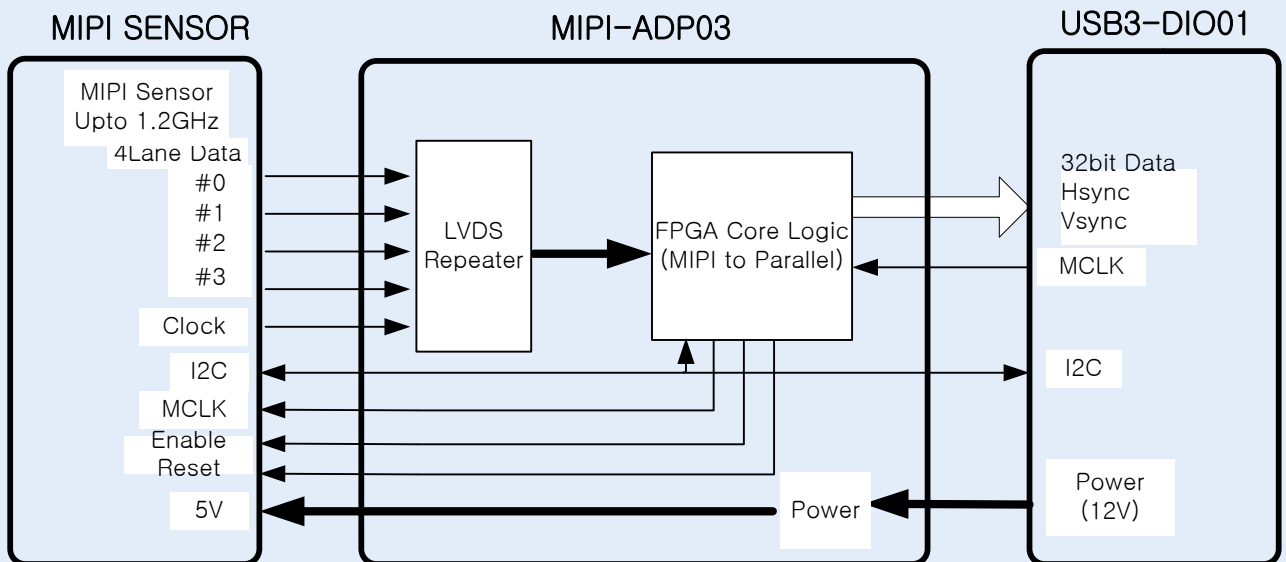
GENERAL DESCRIPTION

- ◆ Serial(MIPI) to Parallel Adaptor Board
- ◆ Support 1/2/4 Lane
- ◆ Max. 1.2Gbps/lane

APPLICATION

- ◆ USB3-DIO01 Daughter Board

BLOCK DIAGRAM



P.S) I2C : Sensor Setting or Lane Information (from USB3-DIO01 to MIPI sensor)
MCLK : Variable Clock 1 ~ 68MHz