

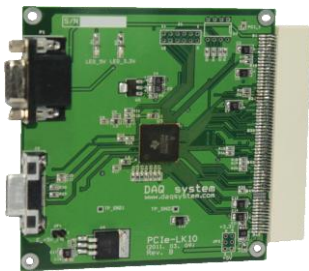
PCIe-LK01/PCIe-LK10

x1 PCI Express to PCI Interface



Features

- PCI Express 1x Interface
- Use with PCIe-LK10
- The Power is supplied to PCIe-LK10 through DB-15 connector
- The PCI Express signals are supplied to PCIe-LK10 through MDR-18 Connector



Features

- PCI Express to PCI Translation Board
- Use with PCIe-LK01
- The Power gets through DB-15 connector from PCIe-LK01
- The PCI Express signals get through MDR-18 connector from PCIe-K01

INTRODUCTION – The PCIe-LK01 is a PCI Express board having the function of interfacing the external PCI products at PC with PCIe-LK10 board. The PCIe-LK01 supports a power and PCI Express signals to PCIe-LK10 board through DB-15 connector and MDR-18 connector.

APPLICATION

- ◆ External PCI Products Interface on PC
- ◆ Industry Control Board
- ◆ Test Board for developing PCI Products without PCI slot on PC

SOFTWARE

▣ Operating System

- Windows 2000 SP4/XP SP1/7

SPECIFICATION

▣ Features

- PCI Express link host interface
- Compliant with PCI Express Base Specification 1.1
- Support various power ($\pm 12V$, 3.3V, 3.3V AUX, 5V)
- PCI Express 1x Interface

▣ Functions

- Provides the PCI Express signals and various power ($\pm 12V$, 3.3V, 3.3V AUX, 5V)

▣ Temperature

- 0 to 60°C, Operating
- -20 to 80°C Storage

▣ Relative Humidity

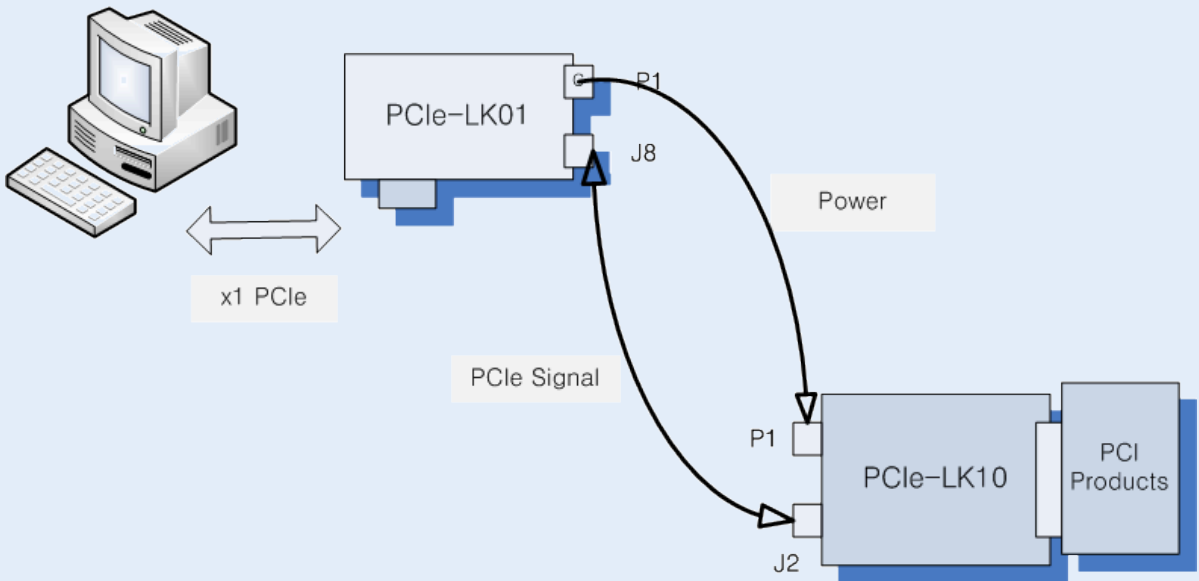
- 5 to 95%, Non-considering

PHYSICAL/ENVIRONMENTAL

▣ Dimension

- PCIe-LK01 Dimension (not including connectors) : 67mm x 74.5 mm
- PCIe-LK10 Dimension (not including connectors) : 108mm x 100 mm

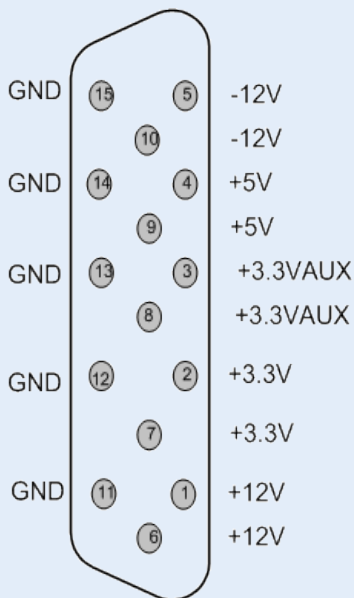
■ **Connection**



■ **Pin Map**

Power Connector

- DB-15 : PCIe-LK01 P1 Connector
PCIe-LK10 P1 Connector



Express PCI Signal Connector

- MDR-18 : PCIe-LK01 J8 Connector
PCIe-LK10 J2 Connector

