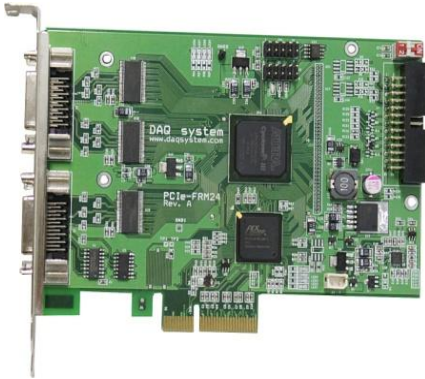


## PCIe-FRM24

### Base/Medium/Full Configuration Camera-link Frame Grabber Board



#### **INTRODUCTION**

The PCIe-FRM24 is a Camera Link frame grabber that is based on the PCI Express x4 interface, and supports one channel Base/Medium/Full configuration, multi-tap area and line scan color and monochrome camera link cameras.

#### **GENERAL DESCRIPTION**

- ◆ PCI Express x4 interface
- ◆ PCI Bus Master Operation
- ◆ Supports Area Scan Camera
- ◆ Support 1-CH Camera Link Base/Medium/Full Configuration
- ◆ High-speed image transfer rates up to 600MB/sec
- ◆ RS422 level A,B,Z phase encoder input, Line trigger input, Line Trigger Output

#### **APPLICATION**

- ◆ Black and White, Color Image Display
- ◆ Image Acquisition (Pattern, Particle etc)
- ◆ Inspection Equipment (Sensor, Semiconductor, Device etc)
- ◆ Medical Image Capture n(X-ray, Supersonic)
- ◆ Security Solution (DVI Surveillance Cameras)

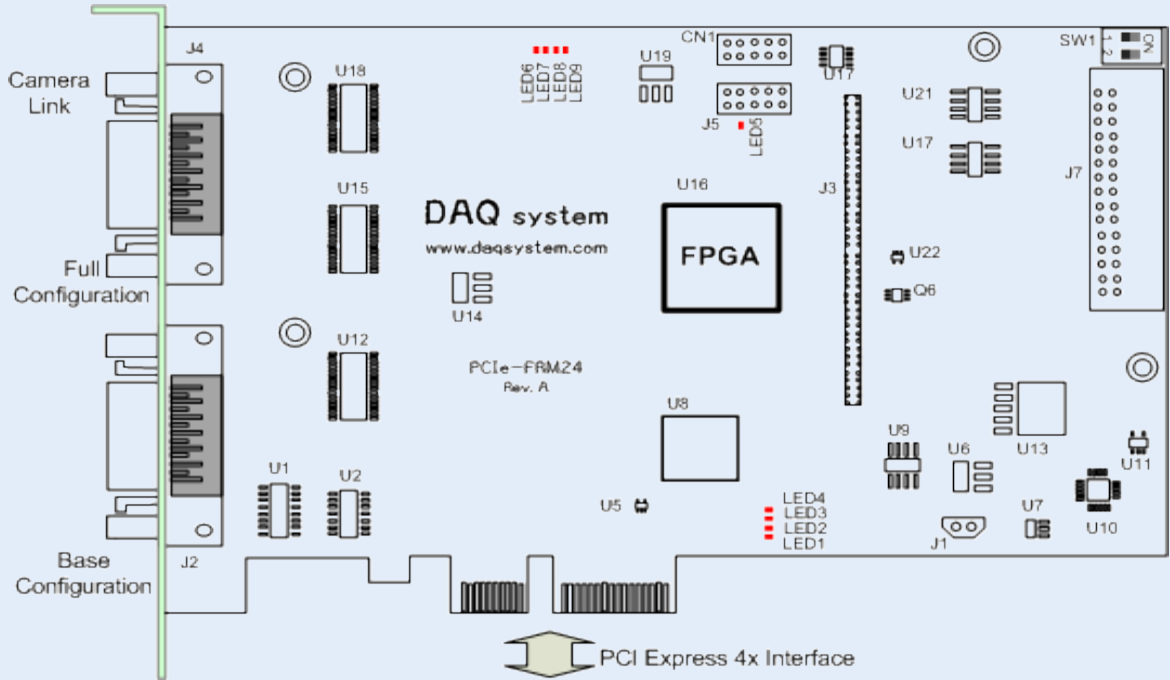
#### **SOFTWARE**

- **Operating System**
  - Windows 2000/XP/7/8/10 (32/64bit)
- **API**
  - Interface with Application through client DLL

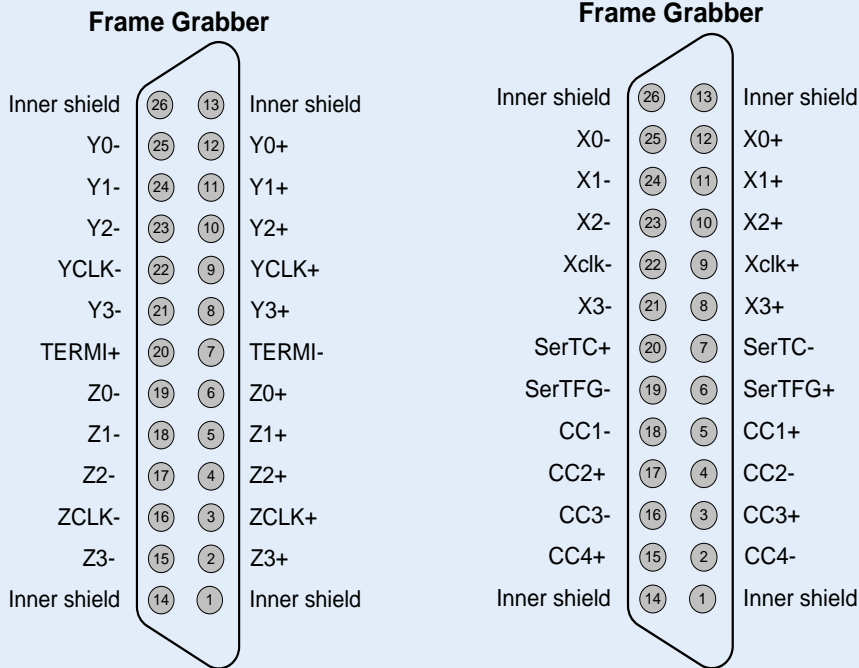
#### **SPECIFICATION**

- **Features**
  - PCI Target and Bus Master Operation
  - PCI Express 4x Interface
  - Maximum camera link data rate : 85MHz
- **Functions**
  - Base Configuration : Data1 MDR26
  - Medium and Full Configuration : Data1 and Data2 MDR26
  - Camera control : CC1~CC4 in Data1 MDR26
  - A,B,Z phase RS422 signal input
  - Line Trigger input
  - Line Trigger Output

■ **Board Feature**



■ **Connecter Map**



Medium/Full Camera Link : J4

Base Camera Link : J2

**PHYSICAL/ENVIRONMENTAL**

■ **From Factor**

- PCI express 4x

■ **Dimension**

- Dimension (not including connectors) : 139mm x 97 mm

■ **Temperature**

- 0 to 60°C, Operating
- -20 to + 80°C Storage

■ **Relative Humidity**

- 5 to 95%, Non-considering

■ **Power Requirement**

- 3.3V Single Power Operation at Max. 300mA

**BLOCK DIAGRAM**

