

## CL-OPT01\_R

### Camera Link to Fiber Transmission Board



#### **INTRODUCTION**

CL-OPT01\_R is a Camera Link receive board that the image data of the camera link signals are transferred to the optical receiver board CL-OPT01\_T or PCIe-OPT01 through the optical cable.

#### **GENERAL DESCRIPTION**

- ◆ Supports 1 Channel Camera Fiber Link
- ◆ Base/Medium/Full/Deca Camera Link to Fiber
- ◆ Deca(10Tap) : Option
- ◆ Link Speed : 8 Gbps Bi-directional Data Link
- ◆ Maximum Transmission Distance : 100m

#### **APPLICATION**

- ◆ Remote Image Transmission

#### **SPECIFICATION**

##### **■ Features**

- Up to 8 Gb/s bi-directional data links
- Duplex LC connector
- Metal enclosure, for lower EMI

#### **PHYSICAL/ENVIRONMENTAL**

##### **■ Dimension**

- Dimension (not including connectors)  
: 110mm x 85 mm

##### **■ Temperature**

- 0 to 60°C, Operating
- -10 to 85°C Storage

##### **■ Relative Humidity**

- 5 to 95%, Non-considering

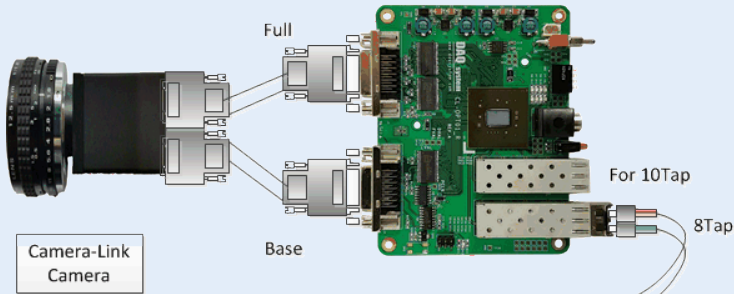
##### **■ Power Requirement**

- 12V DC Power Operation

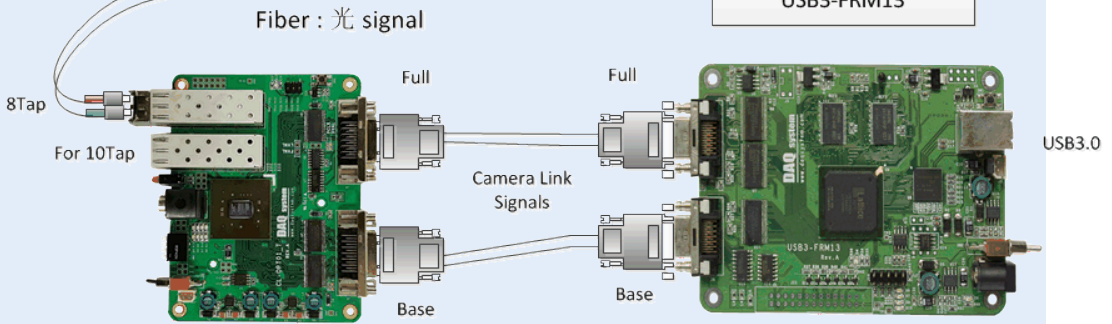
**Board Connections**

**With CL-OPT01\_T and PCIe-OPT01 Connection**

Camera Link to Fiber Receiver  
CL-OPT01\_R

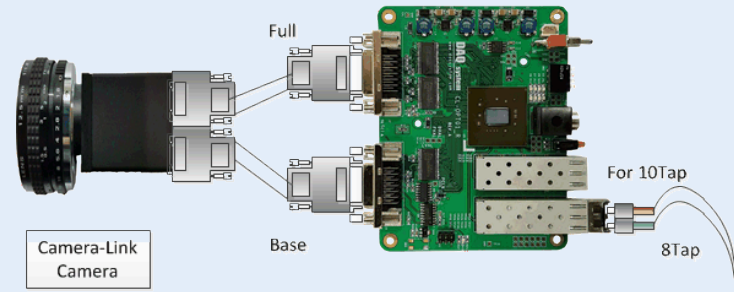


Frame Grabber  
USB3-FRM13



Camera Link to Fiber Transmitter  
CL-OPT01\_T

Camera Link to Fiber Receiver  
CL-OPT01\_R



Frame Grabber  
PCIe-OPT01

Fiber : 光 signal

